

**USB B series right-angle SMT type 4-contacts female connector**

**QZF-B4LFYG( )A2( )( )+C**

RoHS

<b>Standardized</b>
<b>For PCB</b>
<b>Right-angle SMT</b>
<b>USB 2.0 standard</b>

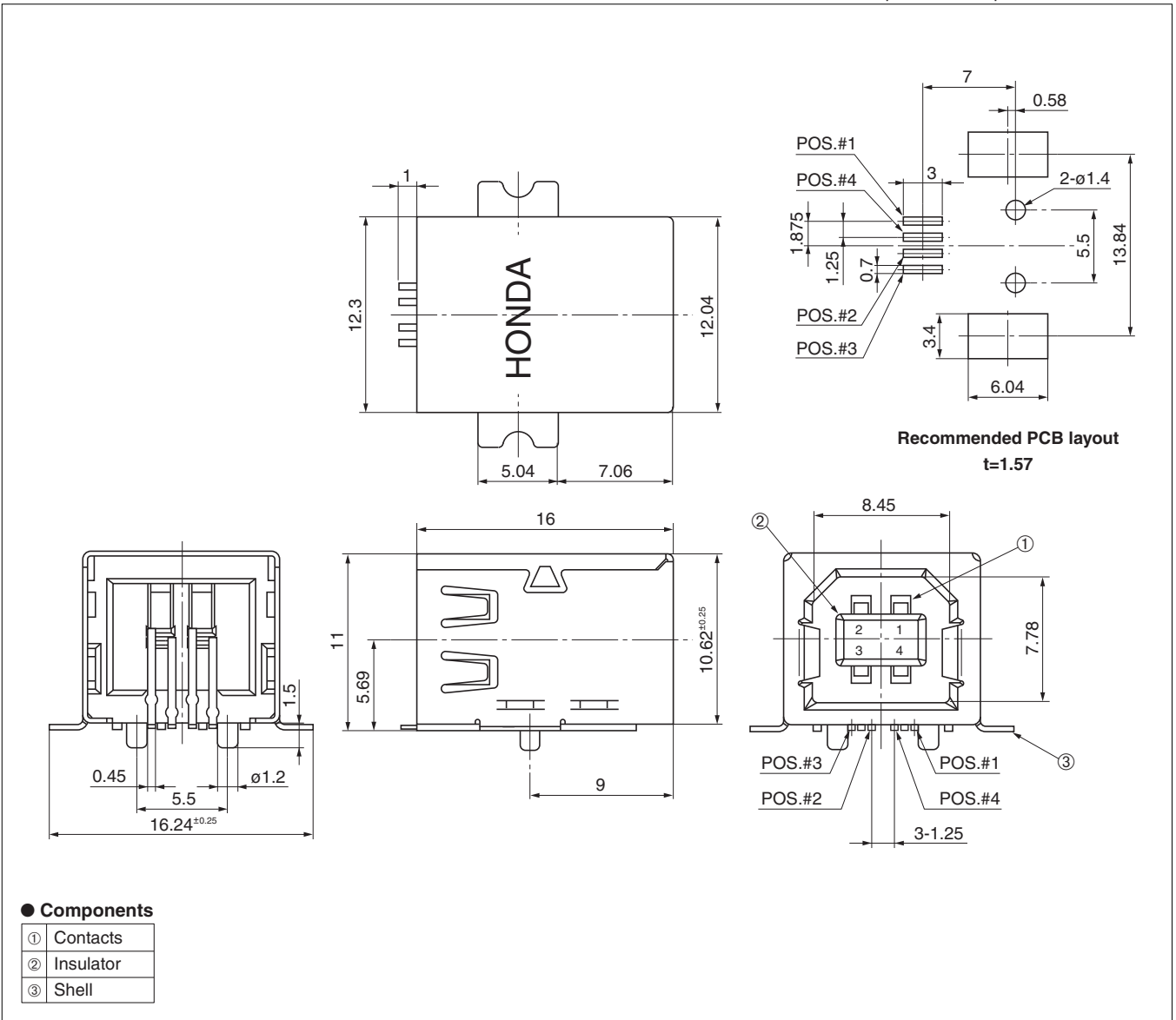


● Configuration of product Part No.

**QZF- B 4 LFY G( ) A2 ( ) ( )+C**

- |                                   |                   |
|-----------------------------------|-------------------|
| ① Series name                     | ⑥ Insulator color |
| ② Type of connector               | K: White          |
| B: B series                       | ⑦ Logo mark       |
| ③ No. of contacts: 4              | #H: HONDA logo    |
| ④ Type of contact                 |                   |
| LFY: Right-angle SMT type, female |                   |
| ⑤ Contact plating                 |                   |
| G7: 0.76 μm Gold plate            |                   |

Note: Minimum order size is 1,200 items.  
If you would like to order more than this, please make orders in amounts of 150 pieces, for example 1,350 pieces, 1,500 pieces, etc...



● Components

①	Contacts
②	Insulator
③	Shell

Mating connectors: USB B series connector for cable (USB 2.0 standard)